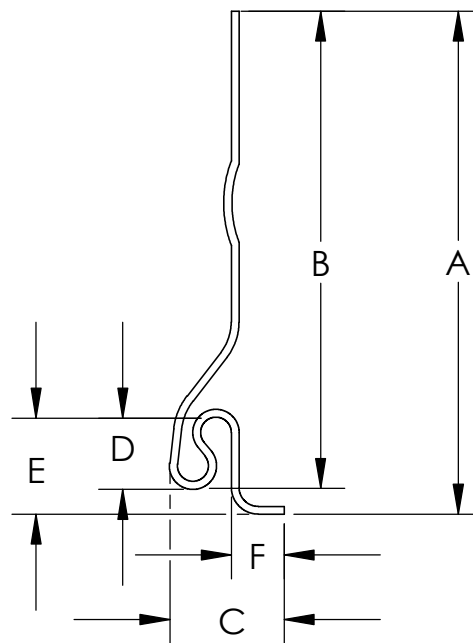
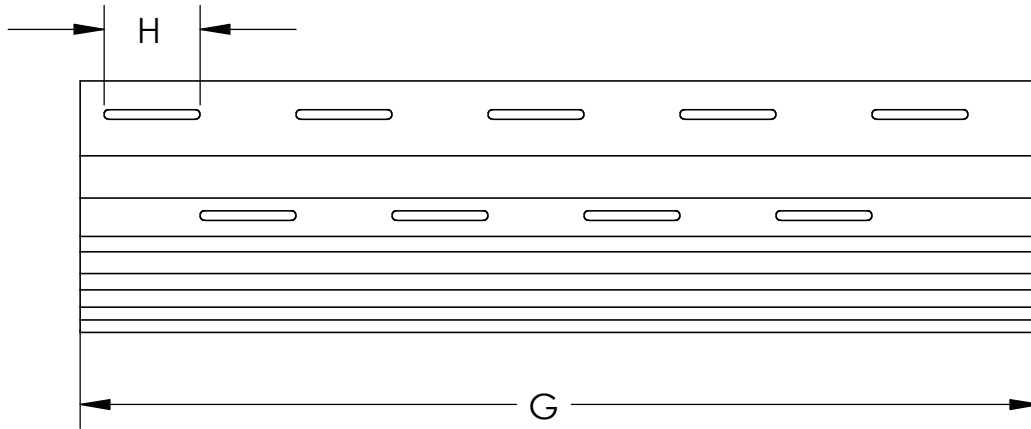
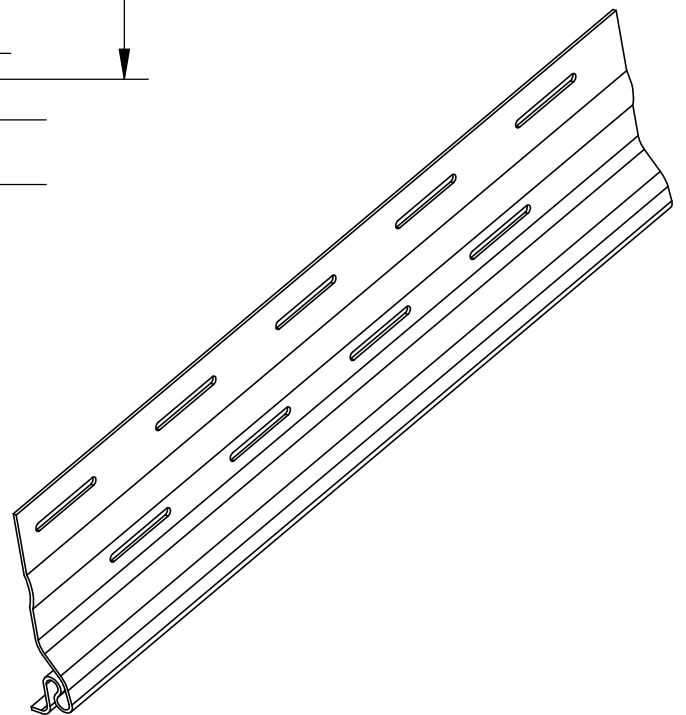


VINYL 2 1/2" STARTER STRIP SPECIFICATION



- A. TOTAL HEIGHT = 2 5/8"
- B. LOCKING HEIGHT = 2 1/2"
- C. TOTAL DEPTH = 5/8"
- D. INSIDE POCKET LENGTH = 3/8"
- E. TOTAL LOCKING SURFACE = 1/2"
- F. LEG LENGTH = 1/4"
- G. TOTAL LENGTH = 12 FT. SECTIONS
- H. NAIL HOLE LENGTH = 1"

WALL THICKNESS EXPOSED = 0.040"
WHITE ONLY



PART #
DIE #4716