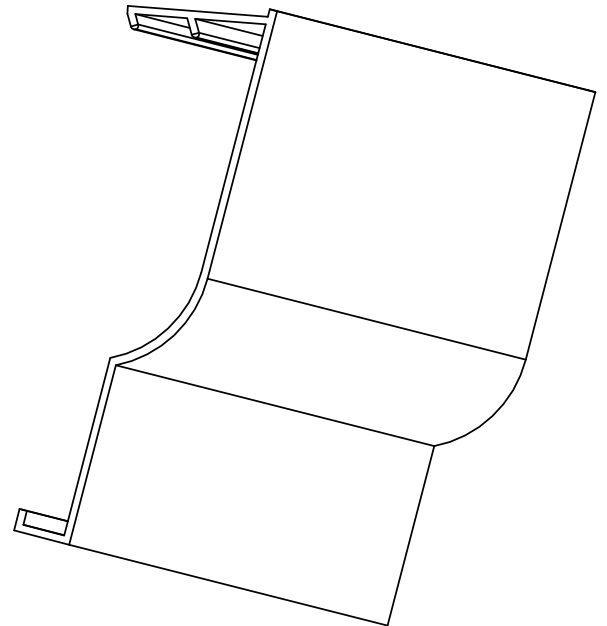
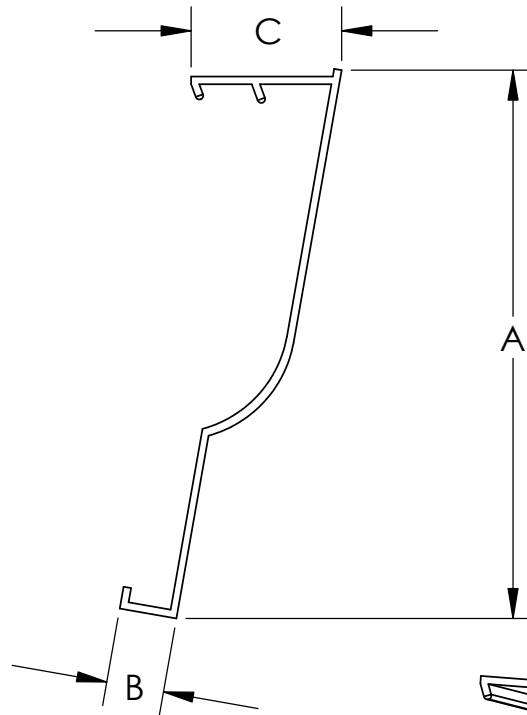
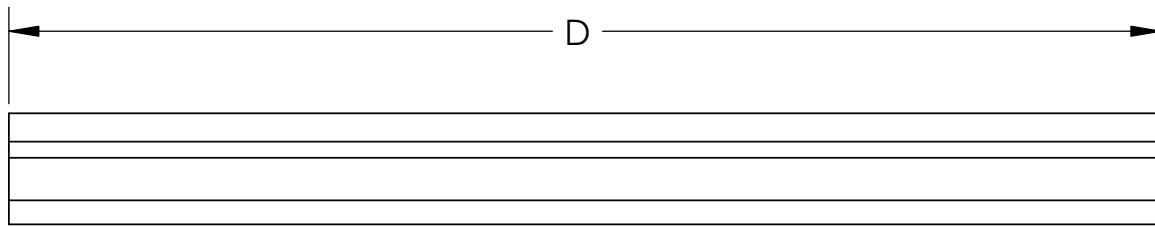


CEDARWAY COVE MOLDING SPECIFICATION



- A. COVE LENGTH = 2 7/8"
- B. BOTTOM LEG WIDTH = 5/16"
- C. TOP LOCK WIDTH = 3/4"
- D. TOTAL LENGTH = 12' 6" (150") SECTIONS

WALL THICKNESS EXPOSED = 0.040"