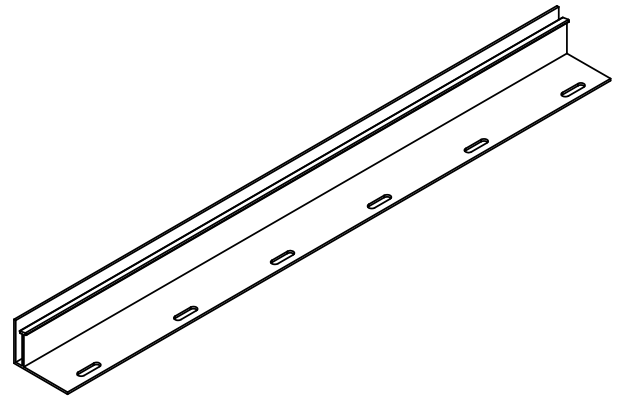
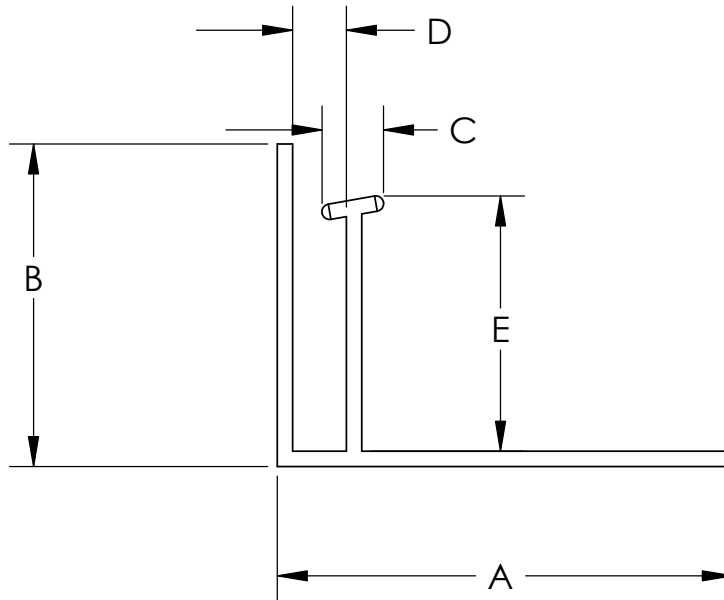
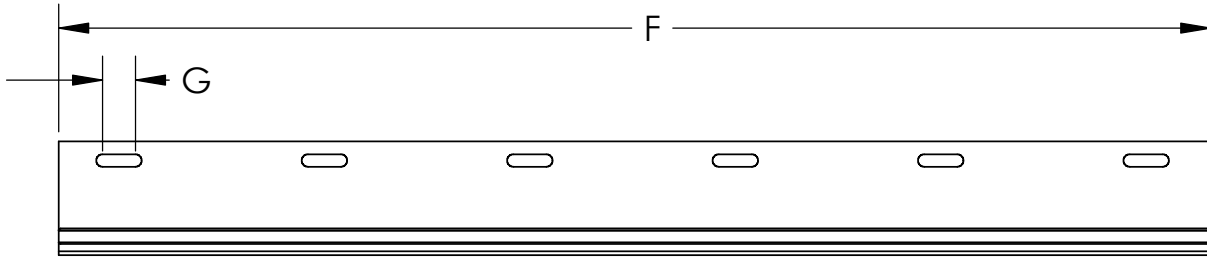


CEDARWAY F-CHANNEL SPECIFICATION



- A. F-CHANNEL WIDTH = 1 3/16"
- B. TOTAL HEIGHT = 7/8"
- C. LOCKING TAB LENGTH = 3/16"
- D. LOCKING COVE DISTANCE = 1/8"
- E. LOCKING LEG DISTANCE = 5/8"
- F. TOTAL LENGTH = 12' 6" (150") SECTIONS
- G. NAIL HOLE LENGTH = 1"

WALL THICKNESS EXPOSED = 0.040"