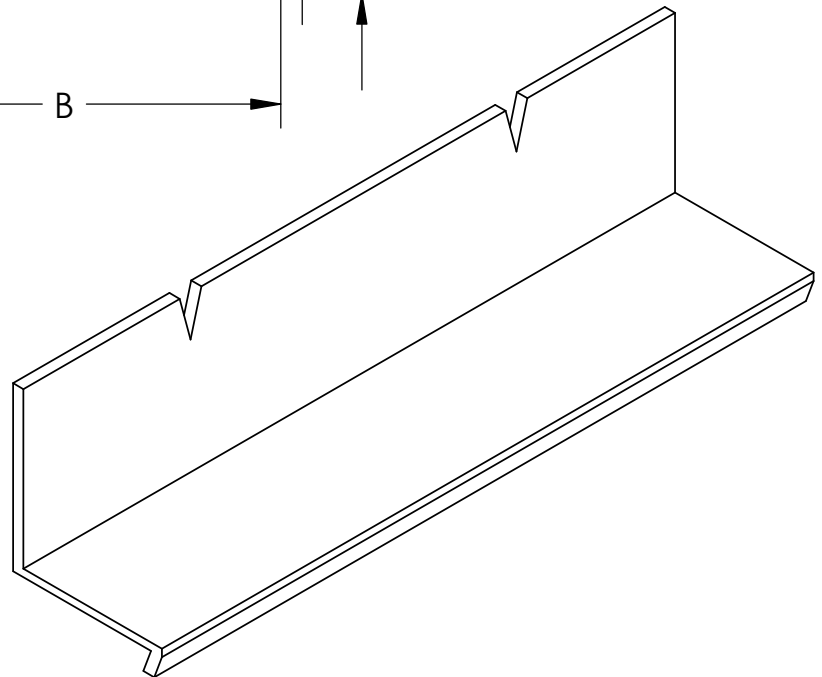
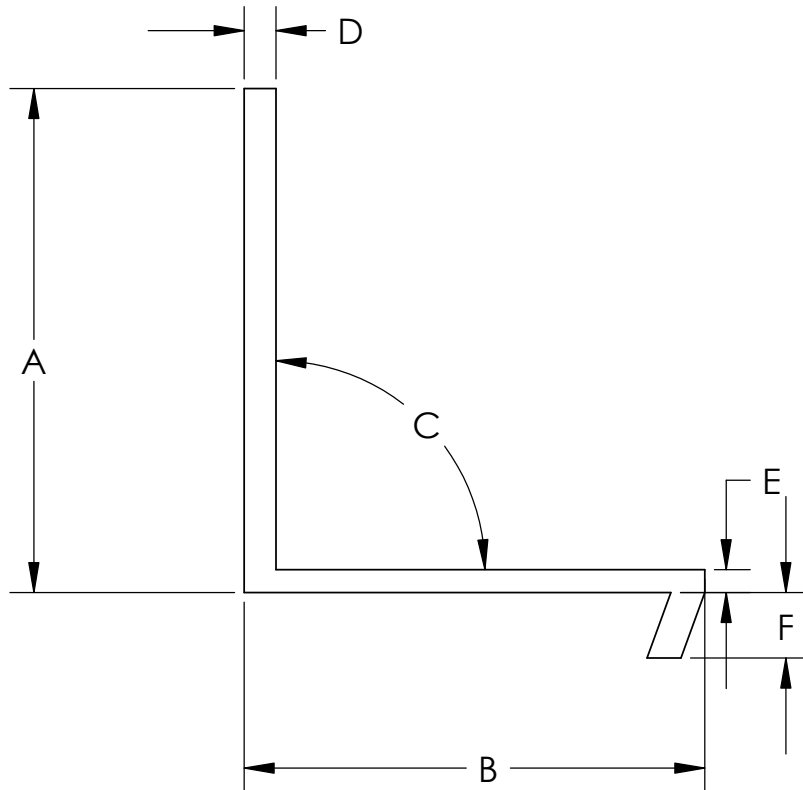
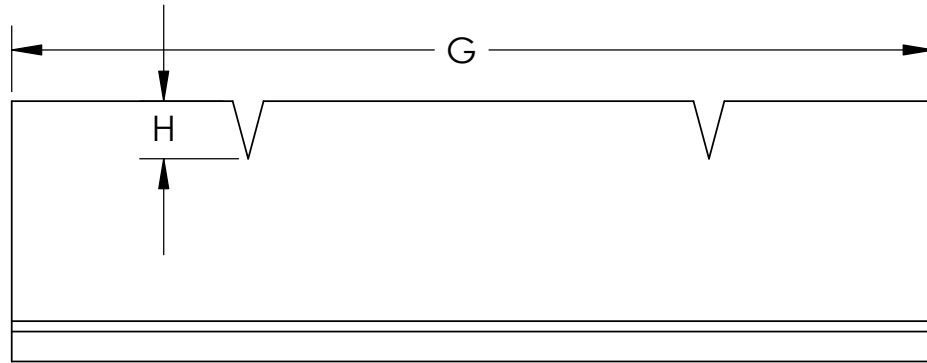


CEDARWAY FLEXIBLE DRIP CAP SPECIFICATION



- A. TOTAL HEIGHT = 1 1/2"
- B. TOTAL WIDTH = 1 3/8"
- C. CORNER ANGLE = 90°
- D. VERTICAL WALL THICKNESS = 1/16"
- E. HORIZONTAL WALL THICKNESS = 1/16"
- F. SMALL LEG LENGTH = 3/16"
- G. TOTAL LENGTH = 12' 6" (150") SECTIONS
- H. FLEX SLIT LENGTH = 3/8"