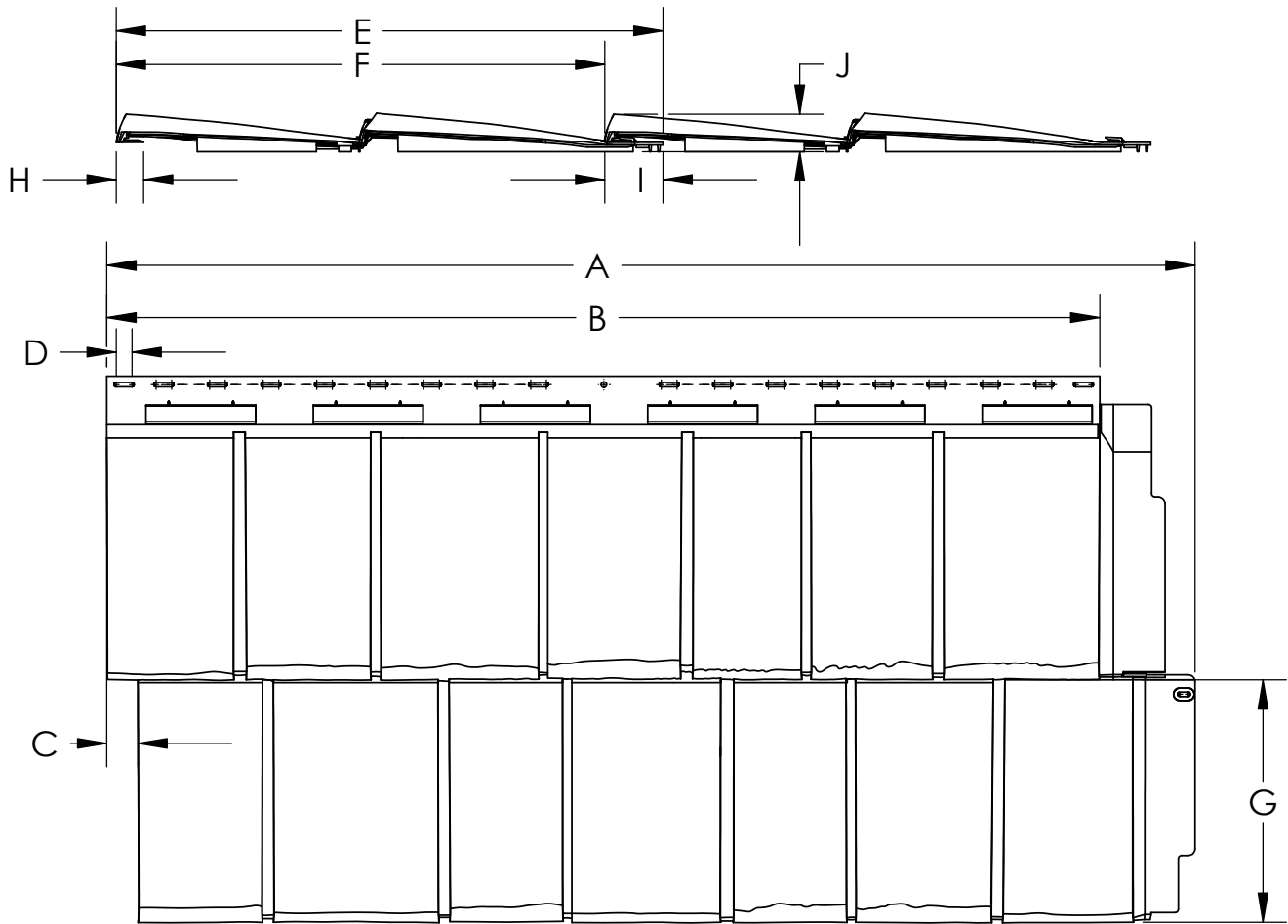
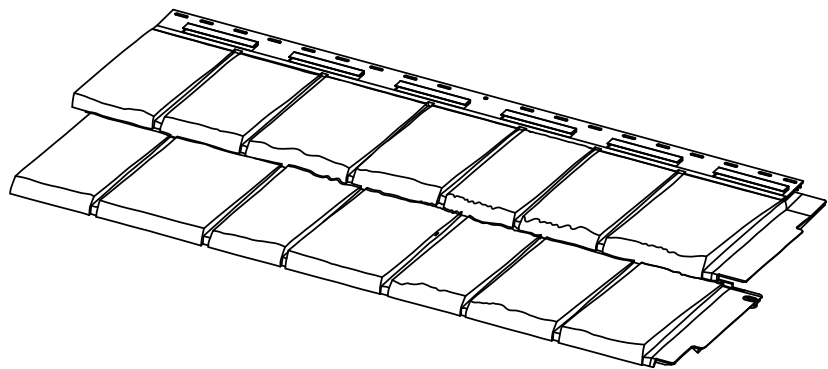


CEDARWAY HANDSPLIT SHAKE SPECIFICATION



- A. TOTAL PANEL LENGTH = 40 5/8"
- B. EXPOSED PANEL LENGTH = 37 1/8"
- C. END TAB = 1 1/8"
- D. NAIL SLOT CENTER TO CENTER = 1/2"
- E. TOTAL PANEL WIDTH = 20 7/16"
- F. INTERLOCKED PANEL WIDTH = 18 1/4"
- G. BOTTOM SHAKE WIDTH = 9 1/16"
- H. BUTT J-CHANNEL LENGTH = 1"
- I. LOCK AND NAILING FLANGE = 2"
- J. INSTALLED PANEL DEPTH = 1 7/16"



WALL THICKNESS EXPOSED = 0.1"

PALLET SIZE = 50 1/2" X 43"