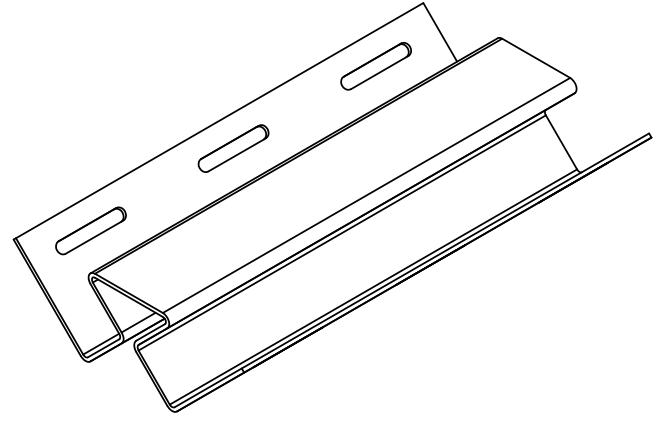
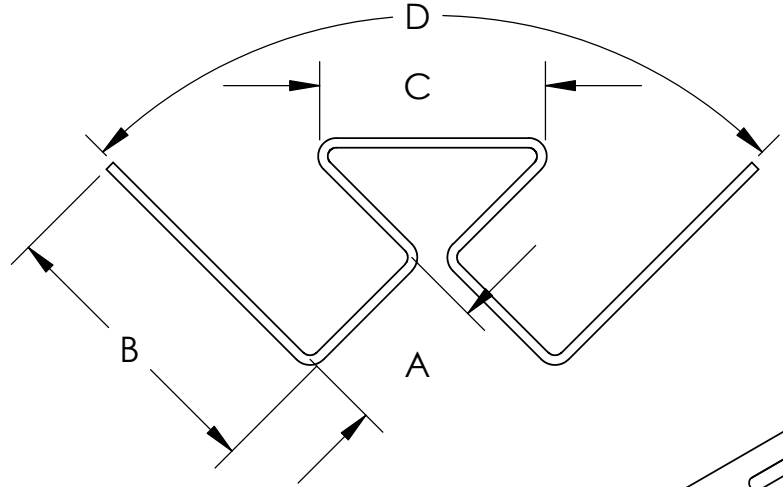
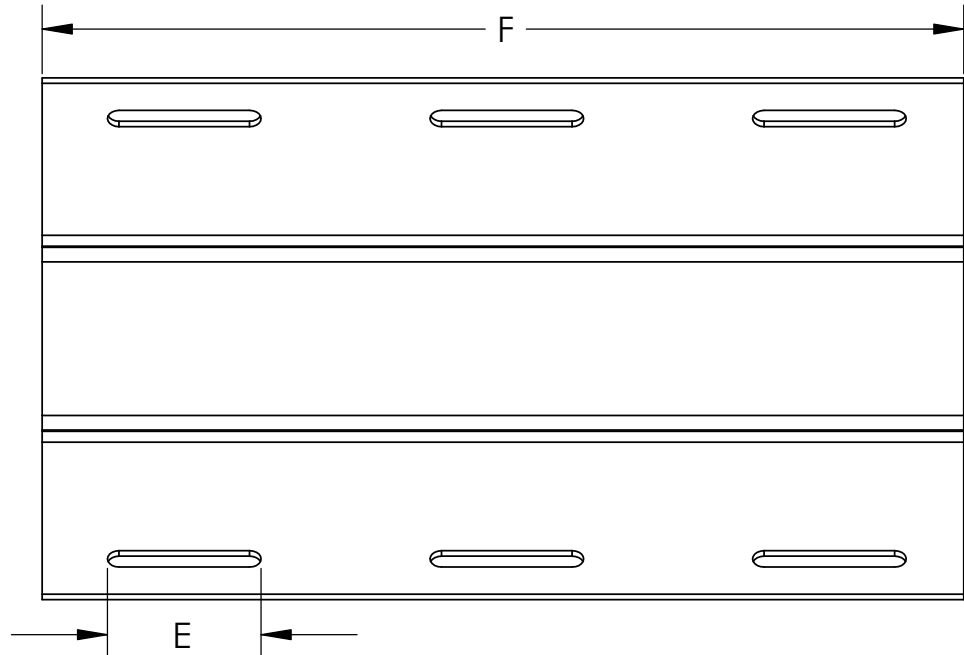


CEDARWAY TRADITIONAL SHAKE INSIDE CORNER SPECIFICATION



- A. POCKET LENGTH = 3/4"
- B. NAIL HEM LENGTH = 1 1/2"
- C. EXPOSED FRONT LENGTH = 1 1/4"
- D. CORNER ANGLE = 90°
- E. NAIL TAB LENGTH= 1"
- F. TOTAL LENGTH = 12' SECTIONS

WALL THICKNESS = 0.050"