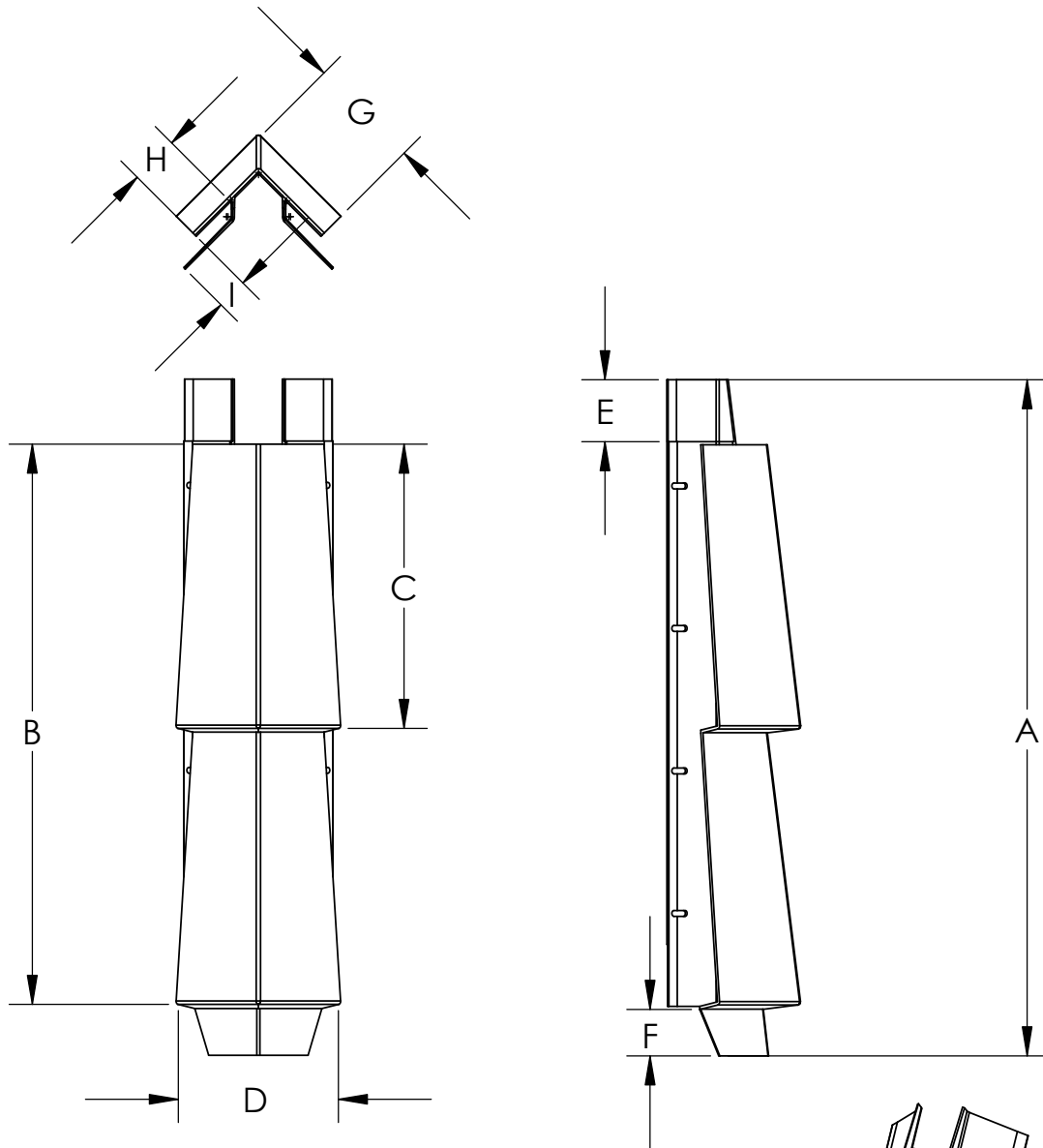


CEDARWAY HANDSPLIT MOLDED CORNER SPECIFICATION



- A. TOTAL CORNER LENGTH = 20 5/16"
- B. EXPOSED CORNER LENGTH = 18 1/8"
- C. TOP SHAKE LENGTH = 9 3/16"
- D. FRONT WIDTH = 5 3/16"
- E. TOP LOCK LENGTH = 2"
- F. BOTTOM TAB LENGTH = 1 1/2"
- G. RIGHT SHAKE WIDTH = 3 11/16"
- H. POCKET DEPTH = 1 9/16"
- I. NAIL TAB LENGTH = 1"

WALL THICKNESS EXPOSED = 0.1"

